

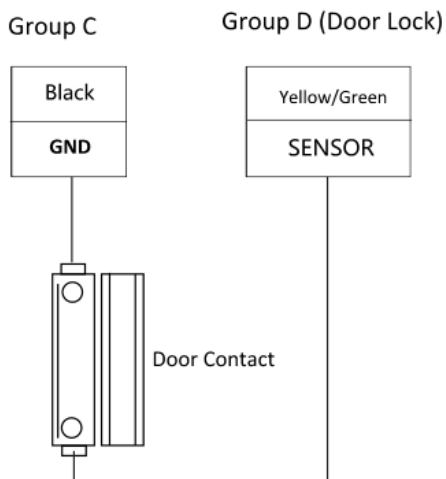
## DS-K1T Series Terminal Connect to Door Sensor

### Operation Process

- 1) Select corresponding port to connect
- 2) Test

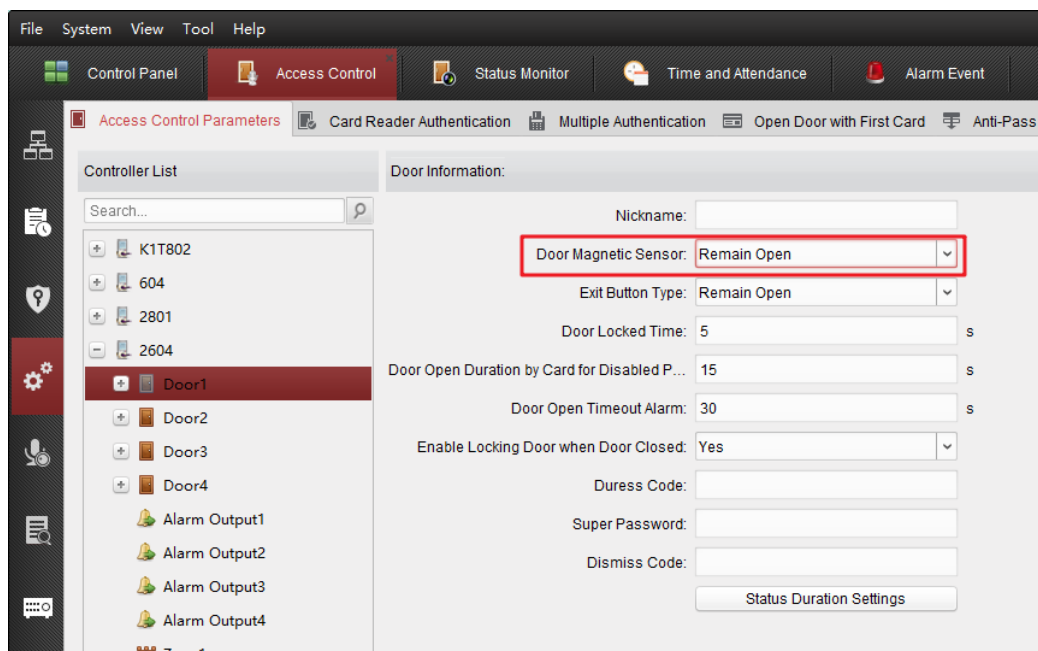
### Operation Steps:

1. Select corresponding port to connect.



2. Test

- 1) Configure door sensor status on 4200 ,5200E or Hikcentral;



- 2) Verify and check door sensor status

## DS-K1T Series Standalone Terminal Connect to Door Sensor

In...	Alarm Time	Alarm Source	Alarm Details	Alarm Content	Live View	Send E...	N
5	2018-10-10 10:47:41	Access Control Device:2604	1 1	Normally Close Door		✉	
4	2018-10-10 10:47:40	Access Control Device:2604	1 1	Lock Door		✉	
3	2018-10-10 10:47:38	Access Control Device:2604	1 1	Normally Open Door		✉	
2	2018-10-10 10:47:35	Access Control Device:2604	1 1	Unlock Door		✉	
1	2018-10-10 10:47:35	Access Control Device:2604 ...	Entrance Card Reader1	Normal Card Authentication Passed		✉	

Unlock Door and Lock Door belong to relay event.

Normally Open Door and Normally Close Door belong to door sensor event.

### Suitable Models:

Model	
DS-K1T105E/M	DS-K1T105E/M -C
DS-K1T804EF/MF	DS-K1T804EF/MF -1
DS-K1T201EF/MF	DS-K1T201EF/MF -C